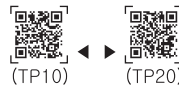




DSFOX - TP10, TP20 INSTRUCTION MANUAL



a detailed description



- Keep this product away from any place that generates strong alkaline or acid substances. Use a separate pipe.
- Do not sprinkle water onto this product for cleaning when installing it in the kitchen.
- Do not install this product in any place where the temperature/humidity ratings are exceeded
- The sensor cable should not be cut or cracked..
- Keep the sensor cable away from a signal cable, a power cable or a load cable. Use a separate pipe.
- Keep in mind that the follow-up service will not be available if this product has been arbitrarily disassembled and modified
- ⚠ symbol on the terminal wiring diagram indicates a safety statement that alerts a warning or caution.
- Do not use this product near any device generating strong high-frequency noise (e.g. high-frequency welding machine, high-frequency sewing machine, high-frequency radio, large-capacity SCR controller, etc.).
- Using this product in any method other than those specified by the manufacturer may lead an injury or a property damage
- The product is not a toy. Keep it away from children.
- The product should be installed only by an expert or a qualified person.
- The company will not be liable for any damage caused by the violation of the above warnings and cautions or by a consumer's fault

**⚠ Danger**

Caution: Risk of electric shock

- Electric shock - Do not touch the AC terminal while the current is flowing. It may cause an electric shock.
- You must disconnect the input power when servicing it.

**02 Model Types**

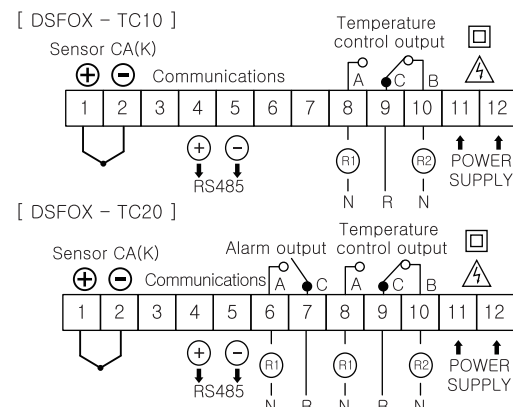
Model	Sensor	Control Type	Temperature Range	Power	Function
DSFOX-TP10	PT 100Ω	Relay contact (1EA)	Celsius : -200.0℃ ~ +400.0℃ Fahrenheit : -328°F ~ +752°F	00~240 VAC 50/60Hz	Temperature control 485 communications
DSFOX-TP20	PT 100Ω	Relay contact (2EA)	Celsius : -200.0℃ ~ +400.0℃ Fahrenheit : -328°F ~ +752°F	00~240 VAC 50/60Hz	Temperature control Alarm control Defrosting control 485 communication

**03 Components**



- Temperature control output display
- Defrosting output display
- Alarm output display
- SET switch
- Defrost switch
- Up switch
- Down switch
- Temperature unit

**04 Terminal wiring diagram**



- \* Output : 250VAC 2A: A power relay or a magnet must be used.
- \* Be careful that any load over the contact capacity may cause contact fusion, contact defect, relay damage or others.

- A user manual for this product is posted on the company website.
- Please download the technical document and communications manual on the company website

**01 Safety precautions**

Please read the safety precautions carefully for correct operation of the product.

\* The specifications and dimensions specified in this instruction manual may be changed without any notice for performance enhancement.

**⚠ Warning**

- This product was not made as a safe device. Therefore, this product should be attached with dual safety devices if it is used for the control purposes (e.g. a device vulnerable to accident and property damage, etc.).
- Do not wire, inspect or service this product while the power is being supplied.
- You must attach this product to a panel. Otherwise, it may cause an electric shock.
- When connecting the power, you must check the terminal number.
- Do not ever disassemble, process, modify or repair this product.

**⚠ Caution**

- Please make yourself familiar with all the operation instructions, safety precautions and warnings before using this product. Comply with related specifications and capacity requirements
- Do not wire or install this product to any unit with high inductive load (e.g. motor, solenoid, etc.).
- Use a shielded cable with a proper length when extending a sensor.
- Do not use any part that generates an arc when used in the same power or directly switched in close proximity.
- Keep the power cable away from a high-voltage cable and do not install this product in any place that is full of water, oil and dust.
- Do not install this product in any place that is exposed to direct sunlight or rain.
- Do not install this product in any place that is subject to strong magnetic power, noise, vibration or shock.

**05 Setting process**

**Setting Method**

Name	Image	Description
Set key	SET	Entry into or return to the settings page Selection and saving of data values
Defrost key	●	Go to the previous menu when setting up a program
Up/Down key	▲ / ▼	Increment/decrement of the selected menu data

**■ Chance of the temperature output's set temperature (temperature setting)**

- If you press the SET key once, the setting will blink and be displayed.
- Increase or decrease the setting with the ▲ ▼ key

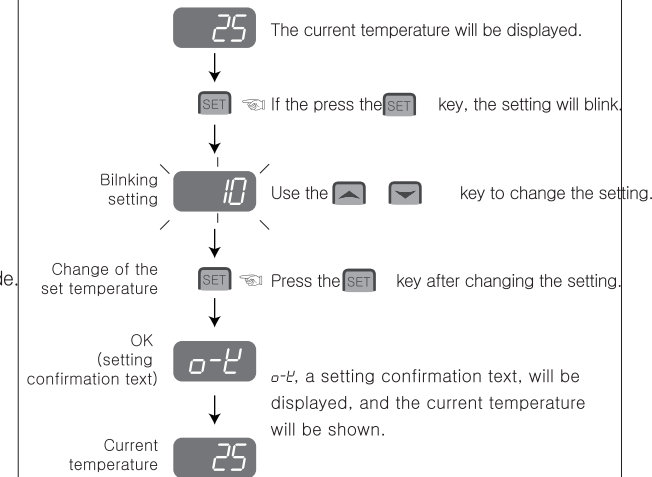
**■ Installer mode settings (Program settings)**

- Press the SET key for at least 5 seconds to enter into the installer mode.
- Configure the program based on the temperature program configuration diagram.
- Press ● key for Enter the previous setting menu (\*Program setting mode only)

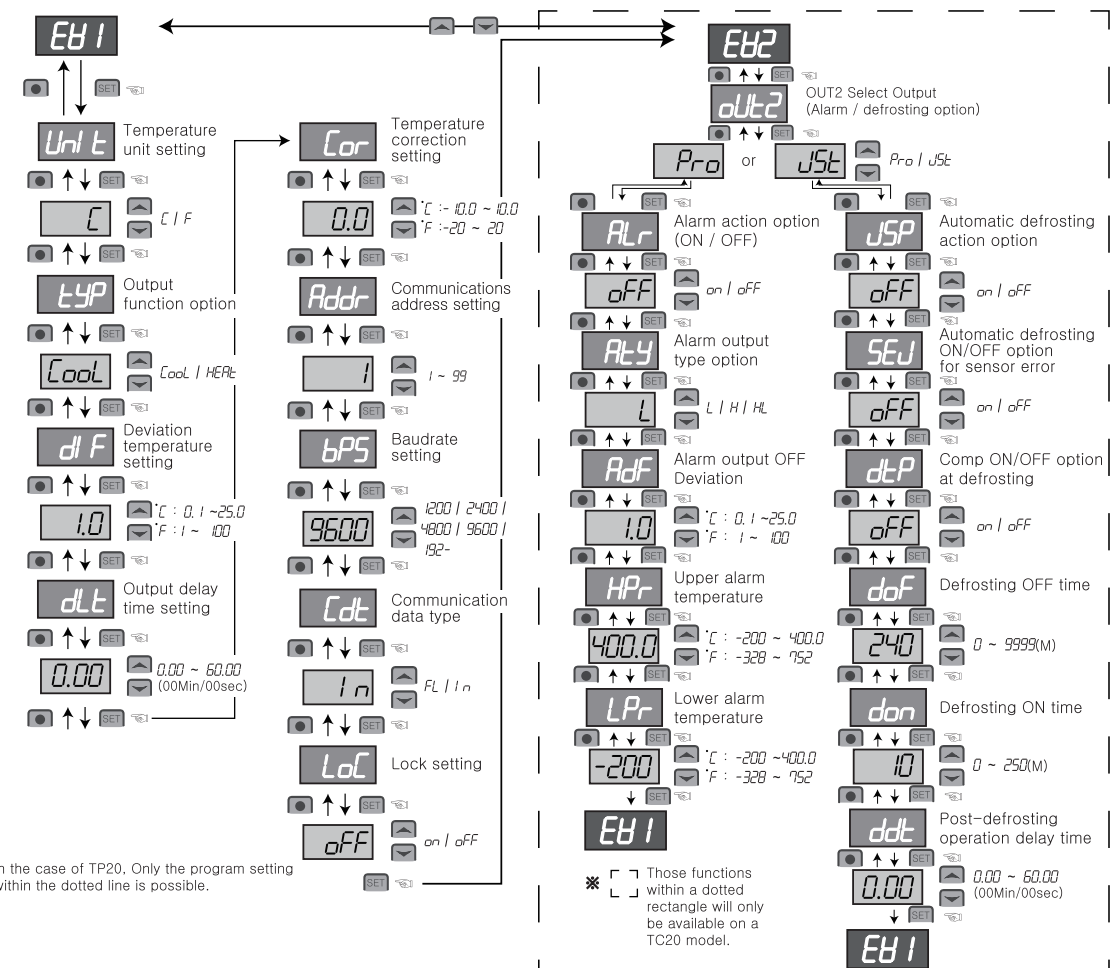
**■ Manual defrosting and defrosting stoppage**

- In the freezing mode: Manual defrosting will commence if you press the ● key for at least 3 seconds.
- In the defrosting mode: Defrosting will stop if you press the ● key for at least 3 seconds.

**Temperature Setting**



**Program Setting (The value of each item is the factory setting.)**



\* In the case of TP20, Only the program setting within the dotted line is possible.

\* Those functions within a dotted rectangle will only be available on a TC20 model.

## 06 Function details

**EH1** : Modification of various settings for temperature output, communications and others

**EH2** : Modification of various settings for defrosting and alarm

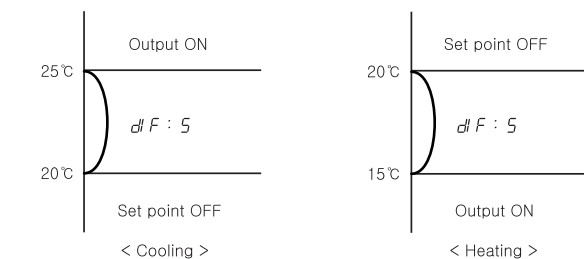
**Unit** : Change of the temperature unit  
 - C (temperature displayed in Celsius)  
 - F (temperature displayed in Fahrenheit)

**Note** : If you change the **Unit** while the product is running, all the settings except for the **Unit** will be initialized to factory settings. Please reset all the settings.

**LYP** : Output function option  
 - Cooling (Cool) or heating (Heat)

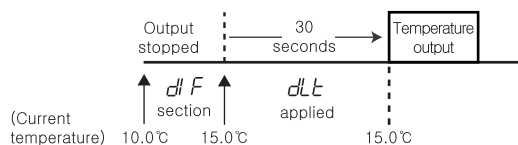
**dIF** : Deviation temperature setting  
 - For on/off control, there should be a certain interval between on and off.  
 - A relay or other output contacts may be quickly damaged or experience hunting (electricity generation, chattering, etc.) due to an external noise if the on/off function is used too frequently.  
 - Different temperature is set to prevent such phenomenon and protect relevant contacts.

- Ex1) Set temperature : 20°C, LYP : Cool, dIF : 5  
 - Ex2) Set temperature : 20°C, LYP : Heat, dIF : 5



**dLT** : Output delay time setting  
 - Used if the on/off function of a control target is used too frequently (freezer, compressor, etc.)  
 - Protects running machine from momentary outage or power re-connection.

- Ex) When is the output on for the following conditions: set temperature (10.0°C); dLT(00.30), dIF(5.0°C)?



**Cor** : Correction of the current temperature  
 - Used to correct the current temperature based on the reference temperature (e.g. mercury thermometer, existing thermometer, thermostat, etc.) when there is an input error by an external sensor even though the product itself does not have any problem.

- Ex) Actual temperature : 10.0°C → **Cor** Modification of 0.0 to -2.0  
 Display window : 12.0°C → Displayed as 10.0 (current temperature modified)

**Addr** : Communications address setting  
 - An address from 1 to 99 should be specified for RS485 communications

**bPS** : Baudrate setting  
 - 1200BPS / 2400BPS / 4800BPS / 9600BPS / 19200BPS

**cdt** : Communication data type setting  
 - Change the communication data format to Float type or Integer type.  
 - Float (FL) and Integer (IN) selections.

**LoL** : Locking of the setting  
 - Safety function intended to prevent anyone other than the main user from changing the settings  
 - If set at on : All the settings except for the set temperature will be locked.  
 - If set at off : All the settings will be unlocked.

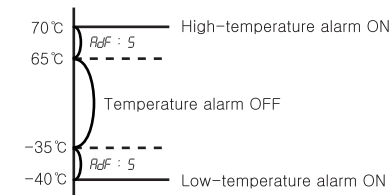
**out2** : OUT2 output option  
 - If set at Pro : OUT2 as an alarm output  
 - If set at dSt : OUT2 as a defrosting output

**ALr** : Select alarm action  
 on : Alarm action ON off : Alarm action OFF

**ALY** : Alarm output option  
**HL** : Upper/lower alarm  
 HP- the setting is greater than LP- or less than LP-, OUT2 output will be on.  
**H** : Upper alarm  
 If the setting is greater than HP-, OUT2 output will be on.  
**L** : Lower alarm  
 If the setting is less than LP-, OUT2 output will be on.

**RdF** : Alarm temperature difference setting

Ex) HP-:70, LP-:-40, RdF:5



**HP-** : High-temperature alarm temperature setting

**LP-** : Low-temperature alarm temperature setting

**Note** : Please consider the equipment environment when defrosting arbitrarily and be careful of fire.

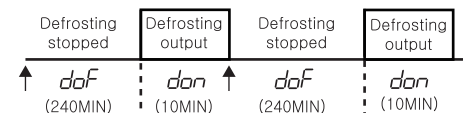
**USP** : Automatic defrosting option  
 on : Automatic defrosting (Both automatic defrosting and manual defrosting can be executed.)  
 off : Manual defrosting (Only manual defrosting can be executed.)

**SEU** : Automatic defrosting ON/OFF for sensor error  
 on : Automatic defrosting will be on even for a sensor error.  
 off : Automatic defrosting will be on even for a sensor error.

**dLP** : Output ON/OFF option at defrosting  
 on : Output ON at defrosting  
 off : Output OFF at defrosting

**doF** : Defrosting OFF time (defrosting cycle)  
 - Defrosting will proceed after the set time elapses.

**don** : Defrosting ON time  
 - Defrosting will commence when the defrosting cycle comes.



- Defrosting will be repeated for 10 minutes every 240 minutes.  
 \* Note: If 'don 0', defrosting will be prohibited

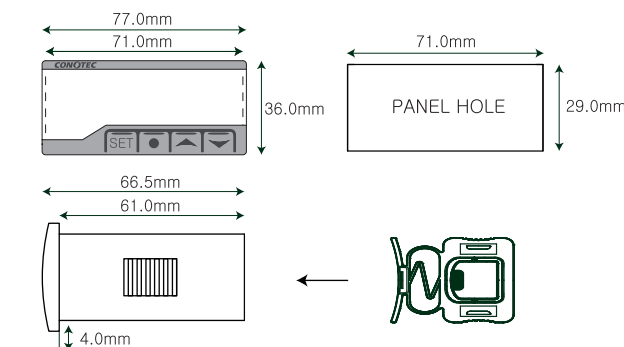
## 07 Communication interface

Applicable specification	EIA RS485
Maximum units accessed	32 units (however, 1~99 available for address setting)
Communications method	2-line half-duplex; Asynchronous
Data speed	1200/2400/4800/9600/19200bps(5 options)
Communications range	Within 1.2Km
Communications protocol	Modbus
Start Bit, Stop Bit	1Bit (fixed)
Parity Bit, Data Bit	Parity Bit : None, Data Bit : 8Bit (fixed)

\* Please see the user manual on our website for more details about the communications specifications..

## 08 Dimension and panel hole sizes

(Unit : mm / error : ±0.5)



## 09 Easy error diagnosis instructions

\* If an error is displayed while the product is running

- Er1** : It is case where the product was subject to a strong external noise and internal data memories have been damaged. In this case, contact us for product service.
- Although this controller was designed to withstand a certain level of external noise, it is not supposed to withstand all levels of noise.
- If the product is subject to a noise greater than 2KV, it could be internally damaged.
- If **o-B** (open error) or **s-B** (short error) is displayed, there is something wrong with a sensor. Please check the sensor.
- If **n.on** (defrosting ON) is displayed, the product is in the defrosting mode.
- If **o-L** (OK) is displayed, settings have been saved.
- A text such as **LoLk** (lock) indicates that the product is in the lock mode
- If **EP10 EP20** (product name) is displayed, it refers to a model name.

\* The above specifications may be changed without any notice for performance enhancement. Please make yourself fully familiar with and follow the above precautions.

- Warranty period: One year from the date of purchase
- Address : (Street address) 56, Ballyongsandan 1-rp, Jangan-eup, Gijang-gun, Busan, ROK  
 (Land-lot address) 901-1, Ballyong-ri, Jangan-eup, Gijang-gun, Busan, ROK (46034)

- Product service : 070-7815-8289
- Customer service : 051-819-0425 ~ 0427
- FAX : 051-819-4562
- Email : overseas-sales@conotec.co.kr
- SNS : Facebook, Instagram, Twitter, YouTube ▶ 'Search for 'Conotec'
- Website : www.conotec.co.kr

### Installation precautions

- This device should be connected to a protective earth terminal and a power supply in order to prevent an electric shock.
- Do not block the air outlet.

### Operation precautions

- An operating environment of this device is as follows.
  - Ambient temperature : 0 ~ 60°C
  - Ambient humidity : 80%RH or less
  - Indoor uses only
  - Pollution class 2
  - Altitude under 2000m
  - Installation category : II
- This device should be laid out in a way that its power cord is easy to handle.
- Using this product in any method other than those specified by the manufacturer may damage its protection function

### Major products and development

- Temperature/humidity controller
- Counter and timer controller
- Current and voltage panel meter
- Temperature/humidity indicator
- Oven controller
- CO2 controller
- PID controller
- Unit cooler controller
- Heat pump controller
- Chiller controller
- Thermo-hygrostat controller
- Short message alarm
- Temperature/humidity transmitter
- Smartphone app and monitoring system

\* This manual was prepared in the Naver Nanum fonts.